

GLA-151C

GLA-151SS

gemline

GLA-151ORB

Single Handle Pulldown Kitchen Faucet

Product Spec Sheet



FEATURES & BENEFITS

- This Product Contains Less Than 0.25% Weighted Average Lead Content On Wetted Surfaces
- Metal Lever Handle
- Ceramic Cartridge
- Optional Deck Plate Included
- Max Flow Rate 1.8GPM(6.8L/Min) At 60PSI (ASME A112.18.1/A112.18.1)

GLA-151C
Chrome Finish

GLA-151SS
Stainless Steel Finish

GLA-151ORB
Oil Rubbed Bronze Finish

Approvals:

Meets or Exceeds The Following:

- * ANSI/ASME A112.18.1/A112.18.1
- * NSF/ANSI 61 - Sec. 9
- * NSF/ANSI 372
- * IAPMO/cUPC
- * CA AB1953
- * NSF/ANSI/CAN 61: $Q \leq 1$



TEL: 888-649-0605

FAX: 877-892-1950

Visit Our Web Site : www.gemlinefaucets.com

□ **GLA-151C**

□ **GLA-151SS**

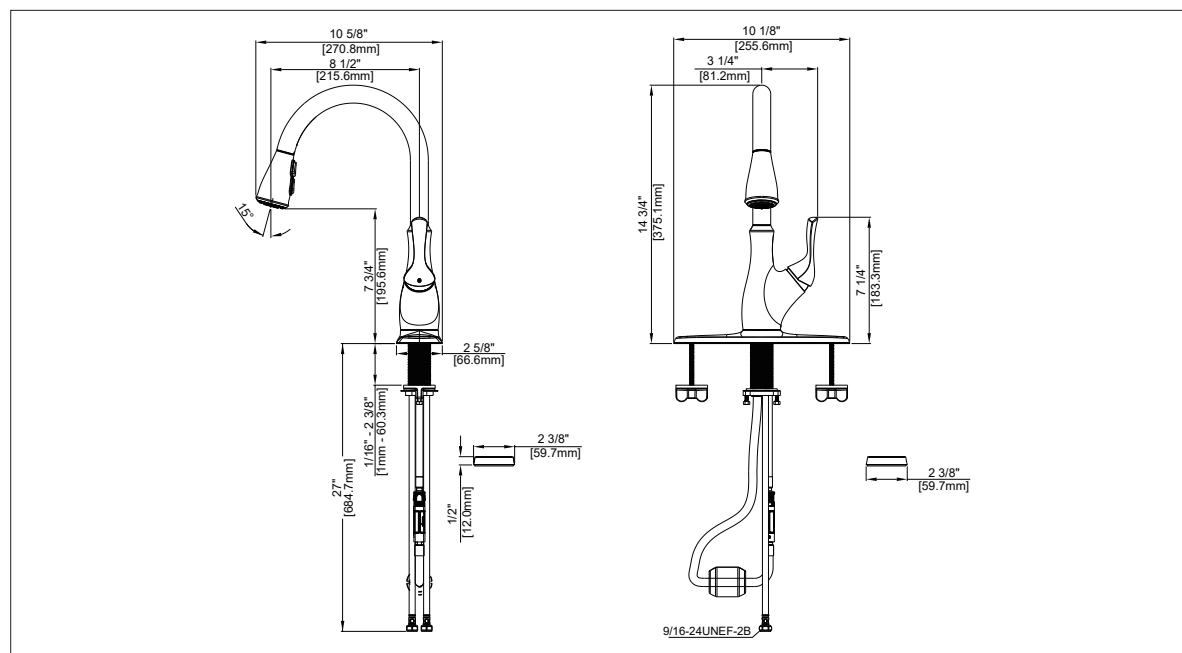
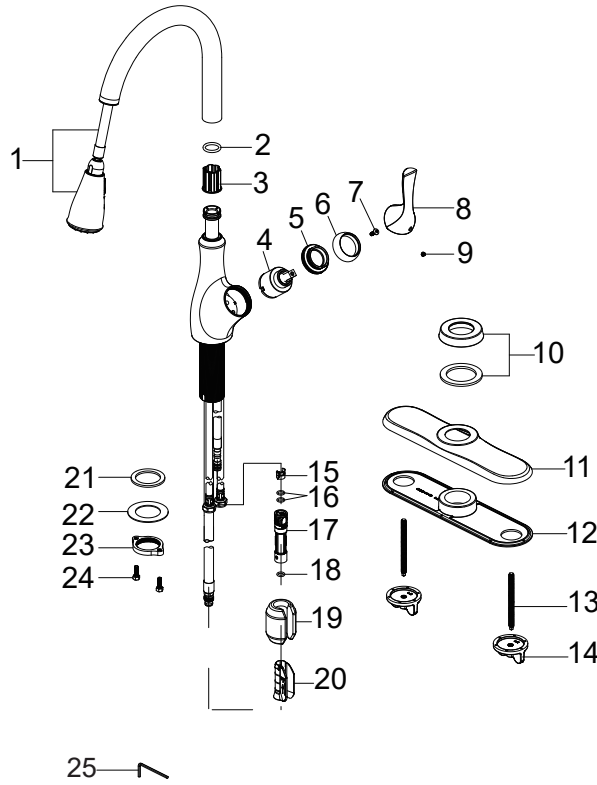
gemline

□ **GLA-151ORB**

Single Handle Pulldown Kitchen Faucet

No.	Name	Part No.
1	Spray head and Hose / Cabezal rociador y manguera	RP38241*
2	O-ring / Aro tórico	RP60071
3	Wearable ring / Anillo de uso	RP70380
4	Cartridge / Cartucho	RP20005
5	Bonnet / Bonete	RP70394
6	Cap / Tapa	RP80028*
7	Screw / Tornillo	RP50015
8	Handle / Llave	RP13390*
9	Set screw / Tornillo de jación	RP50002
10	Flange / Brida	RP80463*
11	Escutcheon / Placa protectora	RP80461*
12	Gasket / Junta	RP80462
13	Bolt / Perno	RP50071
14	Mounting nut / Tuerca de montaje	RP56036
15	Block / Bloque	RP70421
16	O-ring / Aro tórico	RP60002
17	Quick connect assembly / Ensamblaje del conector rápido	RP70429
18	O-ring / Aro tórico	RP60089
19	Weight / Peso	RP70441
20	Weight clip / Sujetador con peso	RP64204
21	Rubber washer / Arandela de goma	RP64023
22	Metal washer / Arandela metálica	RP64024
23	Nut / Tuerca	RP56075
24	Screw / Tornillo	RP50004
25	Hex Allen Wrench / Hex Llave Allen	RP70221

* Specify Finish
* Especifique el Acabado



Product Spec Sheet

TEL: 888-649-0605

FAX: 877-892-1950

Visit Our Web Site : www.gemlinefaucets.com